

# PARTS LIST/EXPLODED VIEW

# PARTS LIST

# CS1.0

ITEM	PART NO.	DESCRIPTION	QTY
2	7R487900	CUP HOLDER L/H	1
3	7R487700	SHOULDER COVER L/H	1
4	70304500	SCREW #6 X 3/8	2
5	70298900	SCREW #8 X 5/8	4
7	7C527100	FAN SPEED CONTROL MEMBRANE	1
8	7C479700	KEYPAD ASSY CS-1	1
9	70304500	SCREW #6 X 3/8	9
10	7R489300	FAN GRILL L/H	1
11	7R489500	PANEL BLANK BOTTOM L/H	1
17	7R490800	FAN MEMBRANE BOARD	1
18	70304500	SCREW #6 X 3/8	2
19	7R485700	FAN	2
20	7C478301	DISPLAY ( HOUSING) CS-1	1
21	70548710	UPPER BOARD CS-1	1
22	70304500	SCREW #6 X 3/8	10
23	7R490900	DAUGHTER BOARD	1
24	7R491300	KEYPAD INTERFACE BOARD	1
25	7C527500	FAN FILTER BOARD	1
26	7R491000	FAN CONTROL BOARD	1
27	70304500	SCREW #6 X 3/8	4
28	70304500	SCREW #6 X 3/8	2
29	70304500	SCREW #6 X 3/8	4
30	7C475700	SLEEVE 1.25 X 1	2
31	7X408200	HR TOUCH GRIP ASSY.	1
32	7C76300	WIRRELESS HR ASSY.	1
33	7R499500	SAFETY SWITCH	1
34	7C474600	SCREW #8 X 1.25	4
35	7C469600	ARM L/H	1
36	7C469700	ARM R/H	1
37	70190900	BOLT 1/4-20 X 1 SERRATED HEX	4
38	7R489700	FISP CONNECTOR PORT	1
39	7R494400	USB CABLE PORT	1
40	70304500	SCREW #6 X 3/8	4
41	0R499100	SERVICE CONNECTOR PLATE	1
42	7R486200	CONSOLE UNDERSIDE TRAY	1
43	70298900	SCREW #8 X 5/8	5
44	7R487205C	PEDESTAL CS-1	1
45	7R488000	CUP HOLDER R/H	1
46	7R487800	SHOULDER COVER R/H	1
47	7R489400	FAN GRILL R/H	1

# PARTS LIST

# CS1.0

ITEM	PART NO.	DESCRIPTION	QTY
48	70304500	SCREW #6 X 3/8	4
49	70304500	SCREW #6 X 3/8	4
50	7R489600	PANEL BLANK BOTTOM R/H	1
51	70142400	SCREW 10-32 X 1/2	3
52	70298900	SCREW #8 X 5/8	14
53	7R486300	CONSOLE CABINET BACK	1
54	70386200	SAFETY KEY W/LANYARD	1
55	7C527000	BALANCE BAR COVER W/MEMBRANE	1
57	7R481200	TREAD BELT	1
58	7R499000	HEX BOLT 3/8-16 X 2	2
59	7R484200	REAR ROLLER	1
60	7R493200	DECK MOUNTING SCREWS	6
61	7R481101	FLIPPABLE DECK	1
62	7R484100	FRONT ROLLER	1
63	70363800	DECK BUMPER STIM (SIDE)	2
64	70017200	CIRCUIT BREAKER	1
65	70292900	BELT GUIDES	2
66	70019300	SCREW 10 X 3/4	4
69	7C467400	REAR SWIVAL FOOT R/H	1
70	7C467300	REAR SWIVAL FOOT L/H	1
71	7R498500	OILITE FLANGED BEARING	4
72	70174300	SHOULDER BOLT 1/2 X 1	2
73	7R498800	RUE COTTER RING	1
74	70183700	CLEVIS PIN 3/8 X 2 1/8	1
75	7R487300	ELEV. RACK	1
76	7R498700	WHEEL SHOULDER BOLT	2
77	70176701	ELIV. WHEEL	4
78	70283300	WASHER	4
79	70550700	WASHER	2
80	70253700	NUT 3/8-16 THIN LOCKING	2
81	7R497800	FAN POWER SUPPLY	1
82	70013500	SCREW 10/32 X 3/8	2
83	70013500	SCREW 10/32 X 3/8	2
84	70548000	LINE FILTER	1
85	70342900	PWM MOTOR CONTROLLER	1
86	70013500	SCREW 10/32 X 3/8	2
87	7R484900	CARRIAGE BOLT	4
88	70304100	CAGE NUT 3/8-16	4
89	70251100	ON/OFF SWITCH	1
90	70253100	POWER CORD	1

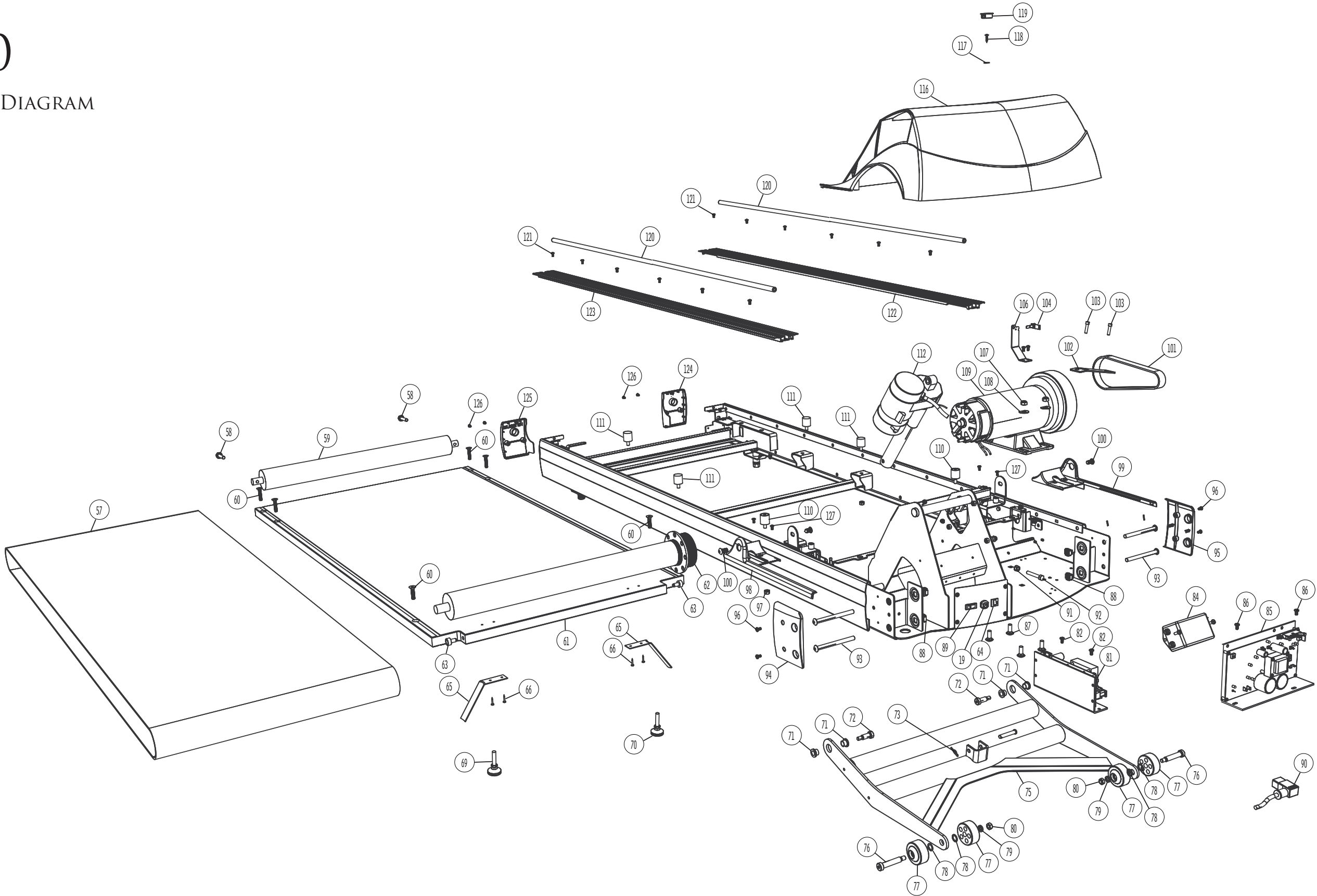
# PARTS LIST

# CS1.0

ITEM	PART NO.	DESCRIPTION	QTY
91	7R493000	NUT 5/16-18	1
92	7R492900	BOLT 5/16 X 2	1
93	70304200	BUTTON HEAD BOLT 3/8-16 X 4	4
94	7R483800	FRONT TRIM SIDEFAME RH	1
95	7R483700	FRONT TRIM SIDEFAME LH	1
96	70013500	SCREW 10/32 X 3/8	4
97	7R493000	FRAME BUMPER NUT 5/16-18	6
98	7R484000	PEDESTAL PIVOT TRIM R/H	1
99	7R483900	PEDESTAL PIVOT TRIM L/H	1
100	70340500	SCREW BTN 3/8 x 3/4	2
101	7R481000	DRIVE BELT	1
102	7R511500	PEDESTAL STIFFENING STRUT	1
103	70122800	SCREW 1/4-20 X 1 SOCKET HEAD	2
104	7R509300	SPEED SENSOR	1
105	70013500	SCREW 10/32 X 3/8	2
106	0R500800	SPEED SENSOR MOUNT/BRACKET	1
107	70125500	NUT 5/16-18	4
108	70115200	WASHER 5/16	4
109	7R492600	DRIVE MOTOR	1
110	7R485200	RUBBER DECK MOUNT FRONT	2
111	7R485300	RUBBER DECK MOUNT REAR	4
112	7R480800	INCLINE MOTOR	1
116	7R484400	MOTOR COVER	1
117	70247200	WASHER #8	1
118	70308500	SCREW 10-32 X 1 1/2	1
119	70309500	MOTOR COVER PLUG "1	1
120	70327005	INSERT STRADDLE COVER	2
121	70346300	SCREW #6 X 3/4	10
122	7R487401	STRADDLE COVER L/H	1
123	7R487402	STRADDLE COVER R/H	1
124	7R48500	REAR ROLLER COVER L/H	1
125	7R483600	REAR ROLLER COVER R/H	1
126	70013500	SCREW 10/32 X 3/8	4
127	70013500	SCREW 10/32 X 3/8	4
128	7R487100	FRAME ASSY.	1

# CS1.0

EXPLODED DIAGRAM  
(FRAME)



# CS1.0

EXPLODED DIAGRAM  
(PEDESTAL)

